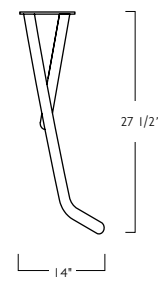
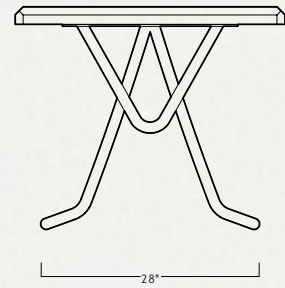


Four Leg Heldon Base



De JONG & CO

+1 (424) 738 0353
dejong@dejongandco.com

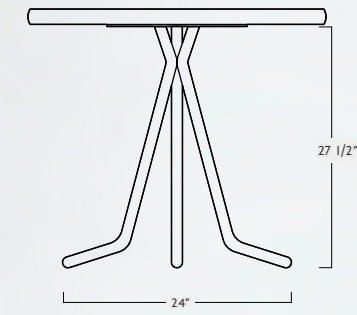
Retail pricing

Option	USD
Blackened Steel	2800
w/ Brass Feet	3200



The Heldon Base is a minimal design which gives lift and weightlessness to any table top. The one and a half inch thick round steel is the perfect proportion, incredibly sturdy, without flex, and conveying a soft delicacy with subtle bends which flow together. The Heldon Base also provides generous under-table space with its angled legs and feet that extend the grounding points for stability while allowing spacious chair and leg clearances. The Heldon Base is a minimal yet impressive support system for any table top. Paired with our Mandelbrot Table Top the Heldon Base is recessed into the table for a professional look and feel designed to land at the most ergonomic 29-inch table height.

Three Leg Heldon Base



De JONG & CO

+1 (424) 738 0353
dejong@dejongandco.com

Retail pricing

Option	USD
Blackened Steel	1,800
w/ Brass Feet	2,100

