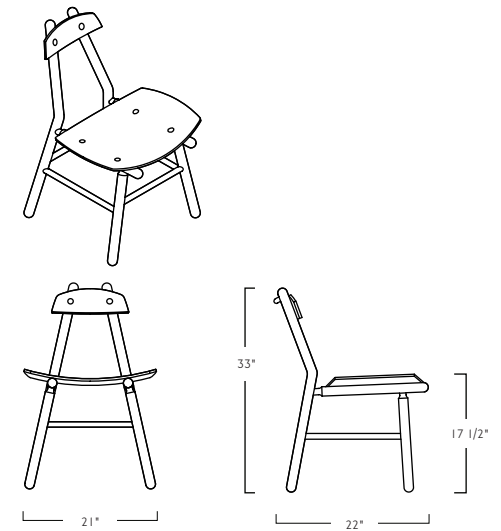




Hiro Chair



De JONG & Co

dejong@dejongandco.com

MSRP

Species	USD
Walnut	2,400
Oak	2,000
Maple	2,000

The Hiro Chair is a contemporary, minimal design made with traditional methods and solid wood joinery. The seat and back are fabricated from custom milled hardwood with a specially pressed curve hugging the occupant for a comfortable sit. Its light and strong frame is intently designed with specific angles and contours for exceptional comfort with varying body types. Warmth and poise flow through this chair all the way up to its rounded back handle. Suitable as dining, occasional, or even a substitute for lounge seating; the Hiro Chair is highly versatile. This contemporary chair will be the focal point of any space with its simple yet refined details. Pictured in natural oak with a hand-rubbed oil & wax finish.

